

Main Characteristics 技术参数电压等级:400V~500V~690VAC 电流范围:from 0.5A to 25A

Breaking Capacity 分断能力: 20KA-400VAC

| Size 瓷管代号 | Catalog Numbers订货号 | Designation Type 型号规格 | Electrical Characteristics电气特性 | | | |
|-------------------------------------|-----------------------|-----------------------------|--------------------------------|------------------------|-------------|------------------|
| | | Kaiert Number 订货号 | Rating Ampere 电流(A) | Watts Loss In 功耗(W) | Class 类别 | Weight (Kg)重量 |
| Φ8×31 Without striker 无指示器 | BG8000 | KG8-0.5A/400VAC_gG/gL Φ8×31 | 0.5 | 2.0W | gG/gL | 0.007 |
| | BG8001 | KG8-1A/400VAC_gG/gL Φ8×31 | 1 | 2.5W | gG/gL | 0.007 |
| | BG8002 | KG8-2A/400VAC_gG/gL Φ8×31 | 2 | 0.7W | gG/gL | 0.007 |
| | BG8004 | KG8-4A/400VAC_gG/gL Φ8×31 | 4 | 0.8W | gG/gL | 0.007 |
| | BG8006 | KG8-6A/400VAC_gG/gL Φ8×31 | 6 | 0.9W | gG/gL | 0.007 |
| | BG8008 | KG8-8A/400VAC_gG/gL Φ8×31 | 8 | 1.1W | gG/gL | 0.007 |
| | BG8010 | KG8-10A/400VAC_gG/gL Φ8×31 | 10 | 1.35W | gG/gL | 0.007 |
| | BG8012 | KG8-12A/400VAC_gG/gL Φ8×31 | 12 | 1.55W | gG/gL | 0.007 |
| | BG8016 | KG8-16A/400VAC_gG/gL Φ8×31 | 16 | 1.90W | gG/gL | 0.007 |
| | BG8020 | KG8-20A/400VAC_gG/gL Φ8×31 | 20 | 2.30W | gG/gL | 0.007 |
| | BG8025 | KG8-25A/400VAC_gG/gL Φ8×31 | 25 | 2.80W | gG/gL | 0.007 |

Main Characteristics 技术参数电压等级:400V~500V~690VAC 电流范围:from 0.5A to 32A

Breaking Capacity 分断能力: 120KA-500VAC、120KA-400VAC

| Size 瓷管代号 | Catalog Numbers订货号 | Designation Type 型号规格 | Electrical Characteristics电气特性 | | | |
|--------------------------------------|-----------------------|-------------------------------|--------------------------------|------------------------|-------------|------------------|
| | | Kaiert Number 订货号 | Rating Ampere 电流(A) | Watts Loss In 功耗(W) | Class 类别 | Weight (Kg)重量 |
| Φ10×38 Without striker 无指示器 | BG10000 | KG10-0.5A/500VAC_gG/gL Φ10×38 | 0.5 | 2.0W | gG/gL | 0.009 |
| | BG10001 | KG10-1A/500VAC_gG/gL Φ10×38 | 1 | 2.5W | gG/gL | 0.009 |
| | BG10002 | KG10-2A/500VAC_gG/gL Φ10×38 | 2 | 0.7W | gG/gL | 0.009 |
| | BG10004 | KG10-4A/500VAC_gG/gL Φ10×38 | 4 | 0.8W | gG/gL | 0.009 |
| | BG10006 | KG10-6A/500VAC_gG/gL Φ10×38 | 6 | 0.9W | gG/gL | 0.009 |
| | BG10008 | KG10-8A/500VAC_gG/gL Φ10×38 | 8 | 1.1W | gG/gL | 0.009 |
| | BG10010 | KG10-10A/500VAC_gG/gL Φ10×38 | 10 | 1.35W | gG/gL | 0.009 |
| | BG10012 | KG10-12A/500VAC_gG/gL Φ10×38 | 12 | 1.55W | gG/gL | 0.009 |
| | BG10016 | KG10-16A/500VAC_gG/gL Φ10×38 | 16 | 1.90W | gG/gL | 0.009 |
| | BG10020 | KG10-20A/500VAC_gG/gL Φ10×38 | 20 | 2.30W | gG/gL | 0.009 |
| | BG10025 | KG10-25A/500VAC_gG/gL Φ10×38 | 25 | 2.80W | gG/gL | 0.009 |
| | BG10032 | KG10-32A/400VAC_gG/gL Φ10×38 | 32 | 3.0W | gG/gL | 0.009 |

Main Characteristics 技术参数 电压等级:400V~500V~690VAC 电流范围:from 1A to 125A

Breaking Capacity 分断能力: 80KA-690VAC、120KA-500VAC、120KA-400VAC

| Size 瓷管代号 | Catalog Numbers订货号 | Designation Type 型号规格 | Electrical Characteristics 电气特性 | | | |
|--------------------------------------|-----------------------|------------------------------|---------------------------------|------------------------|-------------|------------------|
| | | Kaiert Number 订货号 | Rating Ampere 电流(A) | Watts Loss In 功耗(W) | Class 类别 | Weight (Kg)重量 |
| Φ14×51 Without striker 无指示器 | BG14001 | KG14-1A/690VAC_gG/gL Φ14×51 | 1 | 3.4W | gG/gL | 0.018 |
| | BG14002 | KG14-2A/690VAC_gG/gL Φ14×51 | 2 | 1.0W | gG/gL | 0.018 |
| | BG14004 | KG14-4A/690VAC_gG/gL Φ14×51 | 4 | 1.1W | gG/gL | 0.018 |
| | BG14006 | KG14-6A/690VAC_gG/gL Φ14×51 | 6 | 1.2W | gG/gL | 0.018 |
| | BG14008 | KG14-8A/690VAC_gG/gL Φ14×51 | 8 | 1.5W | gG/gL | 0.018 |
| | BG14010 | KG14-10A/690VAC_gG/gL Φ14×51 | 10 | 1.8W | gG/gL | 0.018 |
| | BG14012 | KG14-12A/690VAC_gG/gL Φ14×51 | 12 | 2.1W | gG/gL | 0.018 |
| | BG14016 | KG14-16A/690VAC_gG/gL Φ14×51 | 16 | 2.55W | gG/gL | 0.018 |
| | BG14020 | KG14-20A/690VAC_gG/gL Φ14×51 | 20 | 3.0W | gG/gL | 0.018 |
| | BG14025 | KG14-25A/690VAC_gG/gL Φ14×51 | 25 | 3.50W | gG/gL | 0.018 |
| | BG14032 | KG14-32A/500VAC_gG/gL Φ14×51 | 32 | 3.8W | gG/gL | 0.018 |
| | BG14040 | KG14-40A/500VAC_gG/gL Φ14×51 | 40 | 4.4W | gG/gL | 0.018 |
| | BG14050 | KG14-50A/400VAC_gG/gL Φ14×51 | 50 | 4.7W | gG/gL | 0.018 |

| Size 瓷管代号 | Catalog Numbers订货号 | Designation Type 型号规格 | Electrical Characteristics 电气特性 | | | |
|--------------------------------------|-----------------------|-------------------------------|---------------------------------|------------------------|-------------|------------------|
| | | Kaiert Number 订货号 | Rating Ampere 电流(A) | Watts Loss In 功耗(W) | Class 类别 | Weight (Kg)重量 |
| Φ22×58 Without striker 无指示器 | BG22004 | KG22-4A/690VAC_gG/gL Φ22×58 | 4 | 1.3W | gG/gL | 0.057 |
| | BG22006 | KG22-6A/690VAC_gG/gL Φ22×58 | 6 | 1.4W | gG/gL | 0.057 |
| | BG22008 | KG22-8A/690VAC_gG/gL Φ22×58 | 8 | 1.65W | gG/gL | 0.057 |
| | BG22010 | KG22-10A/690VAC_gG/gL Φ22×58 | 10 | 2.0W | gG/gL | 0.057 |
| | BG22012 | KG22-12A/690VAC_gG/gL Φ22×58 | 12 | 2.4W | gG/gL | 0.057 |
| | BG22016 | KG22-16A/690VAC_gG/gL Φ22×58 | 16 | 3.0W | gG/gL | 0.057 |
| | BG22020 | KG22-20A/690VAC_gG/gL Φ22×58 | 20 | 3.4W | gG/gL | 0.057 |
| | BG22025 | KG22-25A/690VAC_gG/gL Φ22×58 | 25 | 3.8W | gG/gL | 0.057 |
| | BG22032 | KG22-32A/690VAC_gG/gL Φ22×58 | 32 | 4.3W | gG/gL | 0.057 |
| | BG22040 | KG22-40A/690VAC_gG/gL Φ22×58 | 40 | 5.1W | gG/gL | 0.057 |
| | BG22050 | KG22-50A/690VAC_gG/gL Φ22×58 | 50 | 5.5W | gG/gL | 0.057 |
| | BG22063 | KG22-63A/690VAC_gG/gL Φ22×58 | 63 | 6.7W | gG/gL | 0.057 |
| | BG22080 | KG22-80A/690VAC_gG/gL Φ22×58 | 80 | 8.0W | gG/gL | 0.057 |
| | BG22100 | KG22-100A/500VAC_gG/gL Φ22×58 | 100 | 9.0W | gG/gL | 0.057 |
| | BG22125 | KG22-125A/400VAC_gG/gL Φ22×58 | 125 | 12.5W | gG/gL | 0.057 |

Main Characteristics 技术参数 电压等级:400V~500V~690VAC 电流范围:from 1A to 125A

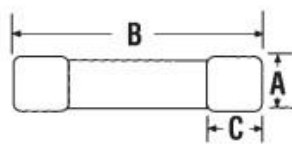
Breaking Capacity 分断能力: 80KA-690VAC、120KA-500VAC、120KA-400VAC

| Size 瓷管代号 | Catalog Numbers 订货号 | Designation Type 型号规格 | Electrical Characteristics 电气特性 | | | |
|-----------------------------------|------------------------|---------------------------------|---------------------------------|------------------------|-------------|------------------|
| | | Kaiert Number 订货号 | Rating Ampere 电流(A) | Watts Loss In 功耗(W) | Class 类别 | Weight (Kg)重量 |
| Φ14×51 With striker 有指示器 | BGK14001 | KG14-K-1A/690VAC_gG/gL Φ14×51 | 1 | 3.4W | gG/gL | 0.018 |
| | BGK14002 | KG14-K -2A/690VAC_gG/gL Φ14×51 | 2 | 1.0W | gG/gL | 0.018 |
| | BGK14004 | KG14-K -4A/690VAC_gG/gL Φ14×51 | 4 | 1.1W | gG/gL | 0.018 |
| | BGK14006 | KG14-K -6A/690VAC_gG/gL Φ14×51 | 6 | 1.2W | gG/gL | 0.018 |
| | BGK14008 | KG14-K -8A/690VAC_gG/gL Φ14×51 | 8 | 1.5W | gG/gL | 0.018 |
| | BGK14010 | KG14-K -10A/690VAC_gG/gL Φ14×51 | 10 | 1.8W | gG/gL | 0.018 |
| | BGK14012 | KG14-12A/690VAC_gG/gL Φ14×51 | 12 | 2.1W | gG/gL | 0.018 |
| | BGK14016 | KG14-K -16A/690VAC_gG/gL Φ14×51 | 16 | 2.55W | gG/gL | 0.018 |
| | BGK14020 | KG14-K -20A/690VAC_gG/gL Φ14×51 | 20 | 3.0W | gG/gL | 0.018 |
| | BGK14025 | KG14-K -25A/690VAC_gG/gL Φ14×51 | 25 | 3.50W | gG/gL | 0.018 |
| | BGK14032 | KG14-K -32A/500VAC_gG/gL Φ14×51 | 32 | 3.8W | gG/gL | 0.018 |
| | BGK14040 | KG14-K -40A/500VAC_gG/gL Φ14×51 | 40 | 4.4W | gG/gL | 0.018 |
| | BGK14050 | KG14-K -50A/400VAC_gG/gL Φ14×51 | 50 | 4.7W | gG/gL | 0.018 |

| Size 瓷管代号 | Catalog Numbers 订货号 | Designation Type 型号规格 | Electrical Characteristics 电气特性 | | | |
|-----------------------------------|---------------------------|----------------------------------|---------------------------------|------------------------|-------------|------------------|
| | | Kaiert Number 订货号 | Rating Ampere 电流(A) | Watts Loss In 功耗(W) | Class 类别 | Weight (Kg)重量 |
| Φ22×58 With striker 有指示器 | BGK22004 | KG22-K -4A/690VAC_gG/gL Φ22×58 | 4 | 1.3W | gG/gL | 0.057 |
| | BGK22006 | KG22-K -6A/690VAC_gG/gL Φ22×58 | 6 | 1.4W | gG/gL | 0.057 |
| | BGK22008 | KG22-K -8A/690VAC_gG/gL Φ22×58 | 8 | 1.65W | gG/gL | 0.057 |
| | BGK22010 | KG22-K -10A/690VAC_gG/gL Φ22×58 | 10 | 2.0W | gG/gL | 0.057 |
| | BGK22012 | KG22-K -12A/690VAC_gG/gL Φ22×58 | 12 | 2.4W | gG/gL | 0.057 |
| | BGK22016 | KG22-K -16A/690VAC_gG/gL Φ22×58 | 16 | 3.0W | gG/gL | 0.057 |
| | BGK22020 | KG22-K -20A/690VAC_gG/gL Φ22×58 | 20 | 3.4W | gG/gL | 0.057 |
| | BGK22025 | KG22-K -25A/690VAC_gG/gL Φ22×58 | 25 | 3.8W | gG/gL | 0.057 |
| | BGK22032 | KG22-K -32A/690VAC_gG/gL Φ22×58 | 32 | 4.3W | gG/gL | 0.057 |
| | BGK22040 | KG22-K -40A/690VAC_gG/gL Φ22×58 | 40 | 5.1W | gG/gL | 0.057 |
| | BGK22050 | KG22-K -50A/690VAC_gG/gL Φ22×58 | 50 | 5.5W | gG/gL | 0.057 |
| | BGK22063 | KG22-K -63A/690VAC_gG/gL Φ22×58 | 63 | 6.7W | gG/gL | 0.057 |
| | BGK22080 | KG22-K -80A/690VAC_gG/gL Φ22×58 | 80 | 8.0W | gG/gL | 0.057 |
| | BGK22100 | KG22-K -100A/500VAC_gG/gL Φ22×58 | 100 | 9.0W | gG/gL | 0.057 |
| | BGK22125 | KG22-K -125A/400VAC_gG/gL Φ22×58 | 125 | 12.5W | gG/gL | 0.057 |

Main Characteristics 技术参数电压等级:400V~500V~690VAC 电流范围:from 0.5A to 63A

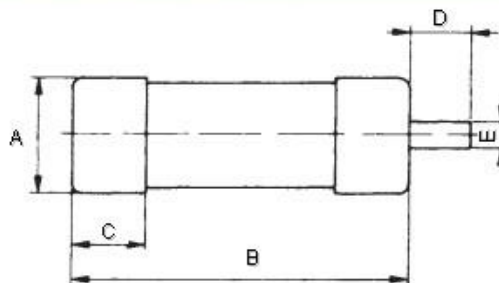
Dimensions(mm)安装尺寸示意图: Without striker 无指示器:



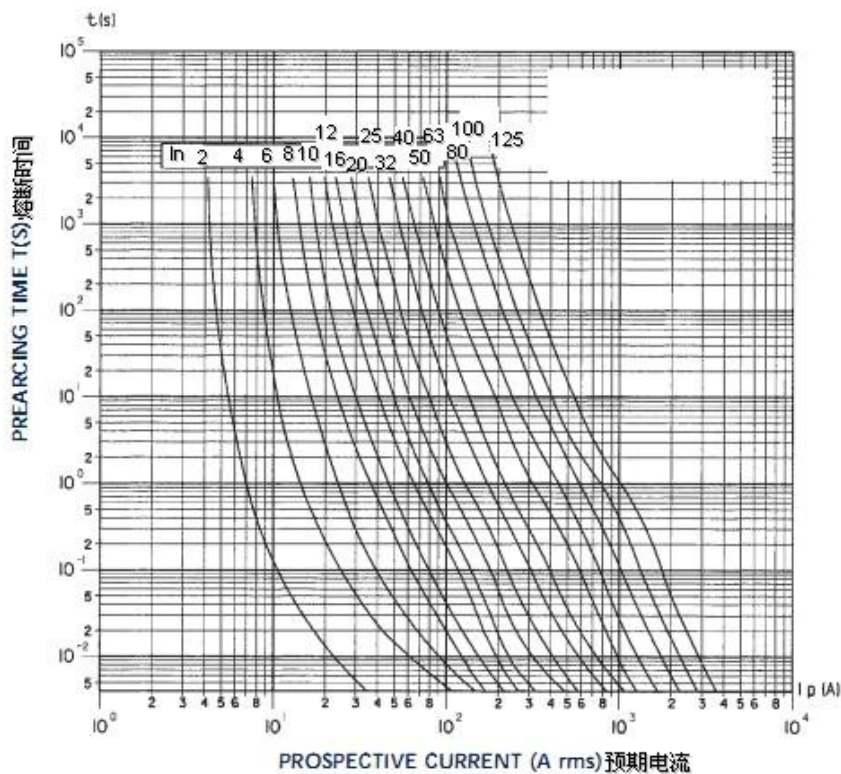
| Fuse Size | A | B | C |
|-----------|------|------|------|
| 8 x 31 | 8.5 | 31.5 | 6.3 |
| 10 x 38 | 10.3 | 38 | 10.5 |
| 14 x 51 | 14.3 | 51 | 13.8 |
| 22 x 58 | 22.2 | 58 | 16.2 |

Dimensions(mm)安装尺寸示意图: With striker 有指示器

| Fuse Size | A | B | C | D | E |
|-----------|------|----|------|-----|-----|
| 14 x 51 | 14.3 | 51 | 13.8 | 7.5 | 3.8 |
| 22 x 58 | 22.2 | 58 | 16.2 | 7.5 | 3.8 |



Time-Current Characteristics:时间-电流特性曲线 gG/gL 8x32, 10x38, 14x51, 22x58 400V to 690V with/without Striker:



Main Characteristics 技术参数电压等级:400V~500V~690VAC 电流范围:from 0.5A to 63A

Cut-Off Characteristics: 限流特性曲线: gG/gL 8x32, 10x38, 14x51, 22x58 400V to 690V with/without Striker:

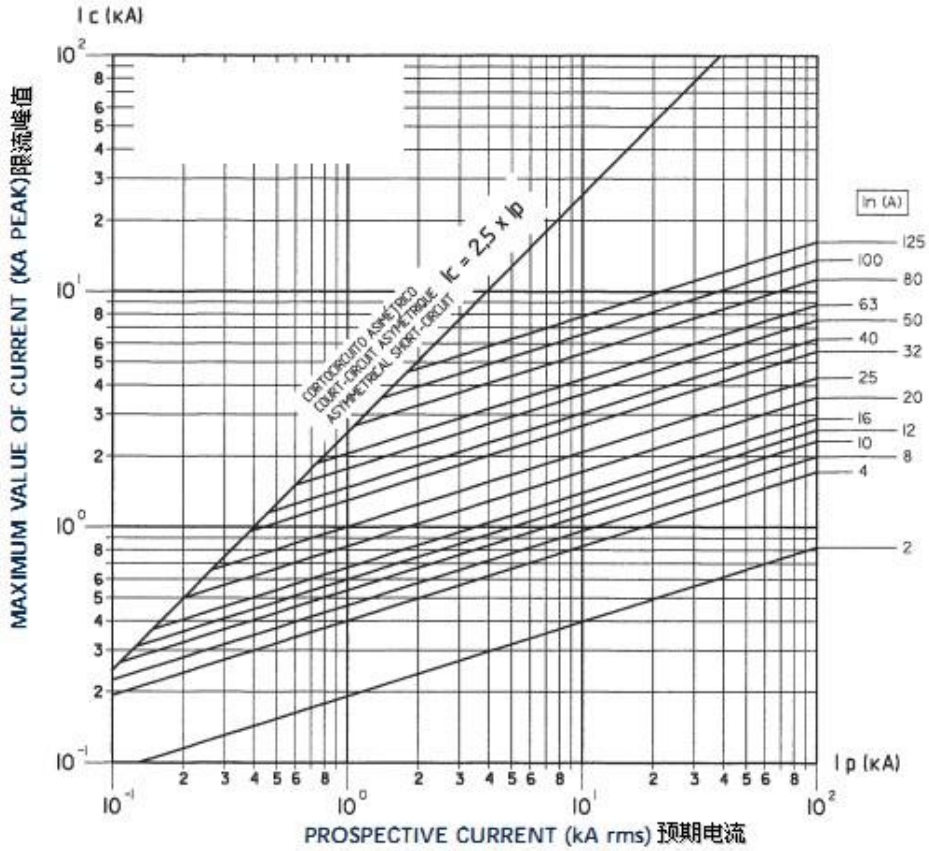
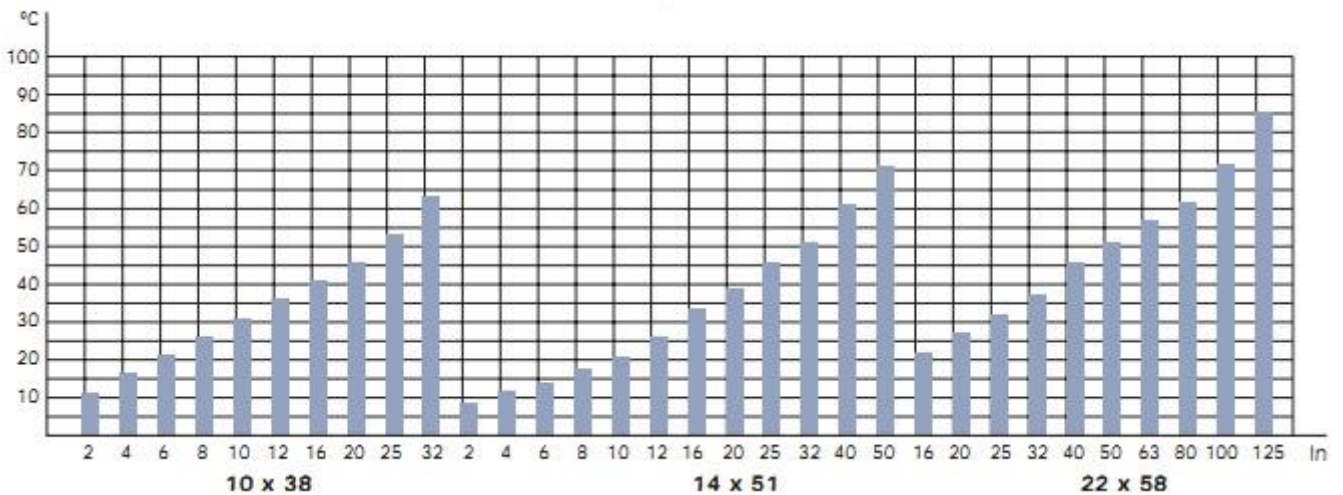
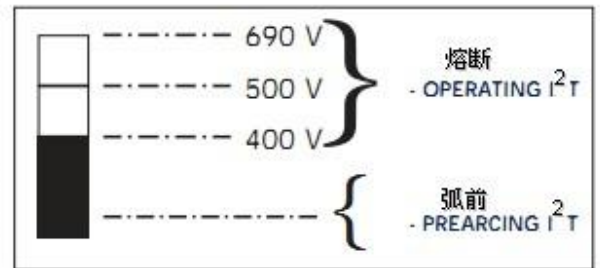
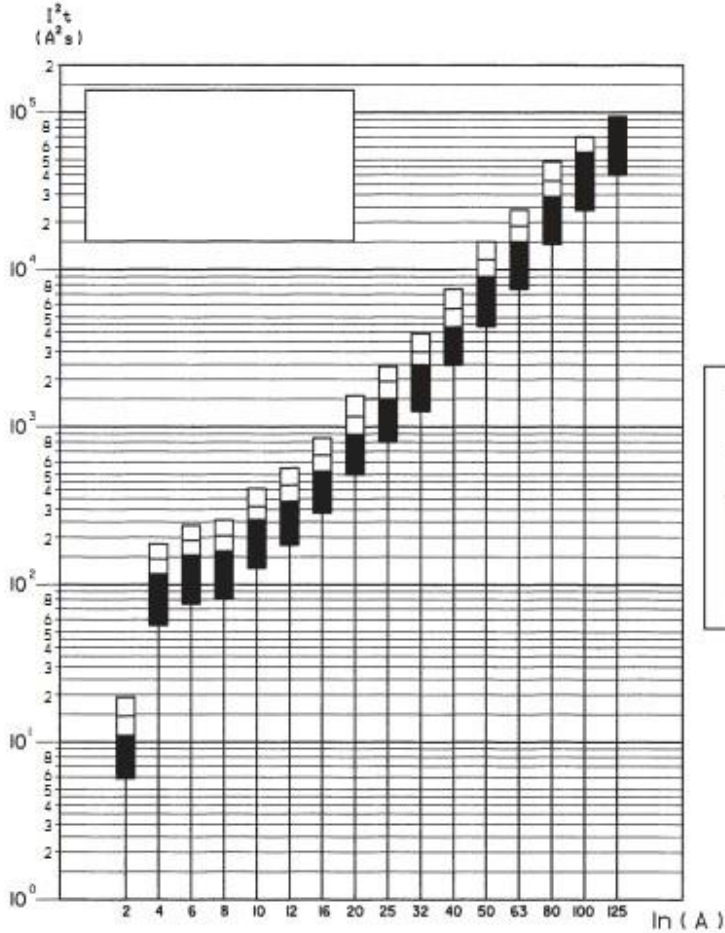


Table temperature increase (testing in superior contact) 温升测试



Main Characteristics 技术参数电压等级:400V~500V~690VAC 电流范围:from 0.5A to 63A

Characteristics $I^2 t$



able of maximum length of network in function of In and conductor section.额定电流和导线面积和长度的选择:

gG Class Fuses

| Copper conductor section (mm ²) | Rated Current (In) OF gG Fuses (In A) | | | | | | | | | | |
|---|---------------------------------------|-------|---------|-------|---------|-------|--------|-------|--------|--------|--|
| | 16 | 20 | 25 | 32 | 40 | 50 | 63 | 80 | 100 | 125 | |
| 1,5 | 99/113 | 86/87 | 40/59 | 21/29 | 13/16 | 7/9 | | | | | |
| 2,5 | | 134 | 110/122 | 67/84 | 41/51 | 25/33 | 13/20 | 8/11 | | | |
| 4 | | | 183 | 139 | 108/119 | 67/84 | 46/58 | 24/32 | 14/17 | 7,3/10 | |
| 6 | | | | 214 | 165 | 139 | 94/113 | 55/70 | 33/41 | 20/27 | |
| 10 | | | | | 275 | 226 | 172 | 130 | 90/108 | 57/70 | |
| 16 | | | | | | | 283 | 217 | 168 | 128 | |
| 25 | | | | | | | | 336 | 257 | 197 | |
| 35 | | | | | | | | | 367 | 283 | |
| 50 | | | | | | | | | | 379 | |

Main Characteristics 技术参数电压等级: 400V~500V~690VAC 电流范围: from 2A to 10A

Breaking Capacity 分断能力: 20KA

| Size 瓷管代号 | Catalog Numbers 订货号 | Designation Type 型号规格 | Electrical Characteristics 电气特性 | | | |
|-------------------------------------|------------------------|-------------------------|---------------------------------|------------------------|-------------|-------------------|
| | | Kaiert Number 订货号 | Rating Ampere 电流(A) | Watts Loss In 功耗(W) | Class 类别 | Weight (Kg) 重量 |
| Φ8×31 Without striker 无指示器 | BM8002 | KM8-2A/400VAC_ aMΦ8×31 | 2 | 0.20W | aM | 0.007 |
| | BM8004 | KM8-4A/400VAC_ aMΦ8×31 | 4 | 0.30W | aM | 0.007 |
| | BM8006 | KM8-6A/400VAC_ aMΦ8×31 | 6 | 0.45W | aM | 0.007 |
| | BM8008 | KM8-8A/400VAC_ aMΦ8×31 | 8 | 0.55W | aM | 0.007 |
| | BM8010 | KM8-10A/400VAC_ aMΦ8×31 | 10 | 0.65W | aM | 0.007 |

Main Characteristics 技术参数电压等级: 400V~500V~690VAC 电流范围: from 0.16A to 32A

Breaking Capacity 分断能力: 120KA

| Size 瓷管代号 | Catalog Numbers 订货号 | Designation Type 型号规格 | Electrical Characteristics 电气特性 | | | |
|--------------------------------------|------------------------|-----------------------------|---------------------------------|------------------------|-------------|-------------------|
| | | Kaiert Number 订货号 | Rating Ampere 电流(A) | Watts Loss In 功耗(W) | Class 类别 | Weight (Kg) 重量 |
| Φ10×38 Without striker 无指示器 | BM100.16 | KM10-0.16A/500VAC_ aMΦ10×38 | 0.16 | 0.35W | aM | 0.009 |
| | BM100.25 | KM10-0.25A/500VAC_ aMΦ10×38 | 0.25 | 0.50W | aM | 0.009 |
| | BM100.5 | KM10-0.5A/500VAC_ aMΦ10×38 | 0.5 | 0.50W | aM | 0.009 |
| | BM10001 | KM10-1A/500VAC_ aMΦ10×38 | 1 | 0.13W | aM | 0.009 |
| | BM10002 | KM10-2A/500VAC_ aMΦ10×38 | 2 | 0.20W | aM | 0.009 |
| | BM10004 | KM10-4A/500VAC_ aMΦ10×38 | 4 | 0.30W | aM | 0.009 |
| | BM10006 | KM10-6A/500VAC_ aMΦ10×38 | 6 | 0.45W | aM | 0.009 |
| | BM10008 | KM10-8A/500VAC_ aMΦ10×38 | 8 | 0.55W | aM | 0.009 |
| | BM10010 | KM10-10A/500VAC_ aMΦ10×38 | 10 | 0.65W | aM | 0.009 |
| | BM10012 | KM10-12A/500VAC_ aMΦ10×38 | 12 | 0.75W | aM | 0.009 |
| | BM10016 | KM10-16A/500VAC_ aMΦ10×38 | 16 | 0.90W | aM | 0.009 |
| | BM10020 | KM10-20A/500VAC_ aMΦ10×38 | 20 | 1.10W | aM | 0.009 |
| | BM10025 | KM10-25A/500VAC_ aMΦ10×38 | 25 | 1.40W | aM | 0.009 |
| | BM10032 | KM10-32A/400VAC_ aMΦ10×38 | 32 | 2.0W | aM | 0.009 |



Main Characteristics 技术参数 电压等级:400V~500V~690VAC 电流范围:from 1A to 125A

Breaking Capacity 分断能力: 80KA-690VAC、120KA-500VAC 、120KA-400VAC

| Size 瓷管代号 | Catalog Numbers 订货号 | Designation Type 型号规格 Kaiert Number 订货号 | Electrical Characteristics 电气特性 | | | |
|--------------------------------------|------------------------|--|---------------------------------|-------|----------|--------|
| | | | In 电流(A) | 功耗(W) | Class 类别 | 重量(Kg) |
| Φ14×51 Without striker 无指示器 | BM140.25 | KM14-0.25A/690VAC_ aMΦ14×51 | 0.25 | 0.7W | aM | 0.018 |
| | BM140.5 | KM14-0.5A/690VAC_ aMΦ14×51 | 0.5 | 0.75W | aM | 0.018 |
| | BM14001 | KM14-1A/690VAC_ aMΦ14×51 | 1 | 0.18W | aM | 0.018 |
| | BM14002 | KM14-2A/690VAC_ aMΦ14×51 | 2 | 0.25W | aM | 0.018 |
| | BM14004 | KM14-4A/690VAC_ aMΦ14×51 | 4 | 0.4W | aM | 0.018 |
| | BM14006 | KM14-6A/690VAC_ aMΦ14×51 | 6 | 0.55W | aM | 0.018 |
| | BM14008 | KM14-8A/690VAC_ aMΦ14×51 | 8 | 0.65W | aM | 0.018 |
| | BM14010 | KM14-10A/690VAC_ aMΦ14×51 | 10 | 0.75W | aM | 0.018 |
| | BM14012 | KM14-12A/690VAC_ aMΦ14×51 | 12 | 0.85W | aM | 0.018 |
| | BM14016 | KM14-16A/690VAC_ aMΦ14×51 | 16 | 1.2W | aM | 0.018 |
| | BM14020 | KM14-20A/690VAC_ aMΦ14×51 | 20 | 1.5W | aM | 0.018 |
| | BM14025 | KM14-25A/690VAC_ aMΦ14×51 | 25 | 1.8W | aM | 0.018 |
| | BM14032 | KM14-32A/500VAC_ aMΦ14×51 | 32 | 2.1W | aM | 0.018 |
| | BM14040 | KM14-40A/500VAC_ aMΦ14×51 | 40 | 2.6W | aM | 0.018 |
| | BM14045 | KM14-45A/500VAC_ aMΦ14×51 | 45 | 2.8W | aM | 0.018 |
| | BM14050 | KM14-50A/400VAC_ aMΦ14×51 | 50 | 2.9W | aM | 0.018 |

| Size 瓷管代号 | Catalog Numbers 订货号 | Designation Type 型号规格 Kaiert Number 订货号 | Electrical Characteristics 电气特性 | | | |
|--------------------------------------|----------------------------|--|---------------------------------|------------------------|-------------|------------------|
| | | | Rating Ampere 电流(A) | Watts Loss In 功耗(W) | Class 类别 | Weight (Kg)重量 |
| Φ22×58 Without striker 无指示器 | BM22001 | KM22-1A/690VAC_ aMΦ22×58 | 1 | 0.2W | aM | 0.057 |
| | BM22002 | KM22-2A/690VAC_ aMΦ22×58 | 2 | 0.3W | aM | 0.057 |
| | BM22004 | KM22-4A/690VAC_ aMΦ22×58 | 4 | 0.5W | aM | 0.057 |
| | BM22006 | KM22-6A/690VAC_ aMΦ22×58 | 6 | 0.65W | aM | 0.057 |
| | BM22008 | KM22-8A/690VAC_ aMΦ22×58 | 8 | 0.75W | aM | 0.057 |
| | BM22010 | KM22-10A/690VAC_ aMΦ22×58 | 10 | 0.85W | aM | 0.057 |
| | BM22012 | KM22-12A/690VAC_ aMΦ22×58 | 12 | 1.0W | aM | 0.057 |
| | BM22016 | KM22-16A/690VAC_ aMΦ22×58 | 16 | 1.4W | aM | 0.057 |
| | BM22020 | KM22-20A/690VAC_ aMΦ22×58 | 20 | 1.7W | aM | 0.057 |
| | BM22025 | KM22-25A/690VAC_ aMΦ22×58 | 25 | 2.0W | aM | 0.057 |
| | BM22032 | KM22-32A/690VAC_ aMΦ22×58 | 32 | 2.6W | aM | 0.057 |
| | BM22040 | KM22-40A/690VAC_ aMΦ22×58 | 40 | 3.2W | aM | 0.057 |
| | BM22050 | KM22-50A/690VAC_ aMΦ22×58 | 50 | 3.9W | aM | 0.057 |
| | BM22063 | KM22-63A/690VAC_ aMΦ22×58 | 63 | 4.6W | aM | 0.057 |
| | BM22080 | KM22-80A/690VAC_ aMΦ22×58 | 80 | 5.6W | aM | 0.057 |
| | BM22100 | KM22-100A/500VAC_ aMΦ22×58 | 100 | 6.5W | aM | 0.057 |
| BM22125 | KM22-125A/400VAC_ aMΦ22×58 | 125 | 9.5W | aM | 0.057 | |

Main Characteristics 技术参数 电压等级:400V~500V~690VAC 电流范围:from 1A to 125A

Breaking Capacity 分断能力: 80KA-690VAC、120KA-500VAC 、120KA-400VAC

| Size 瓷管代号 | Catalog Numbers订货号 | Designation Type 型号规格 | Electrical Characteristics 电气特性 | | | |
|-----------------------------------|-----------------------------|-------------------------------|---------------------------------|-------|----------|--------|
| | | Kaiert Number 订货号 | In 电流(A) | 功耗(W) | Class 类别 | 重量(Kg) |
| Φ14×51 With striker 有指示器 | BMK140.25 | KM14-K-0.25A/690VAC_ aMΦ14×51 | 0.25 | 0.7W | aM | 0.018 |
| | BMK140.5 | KM14-K-0.5A/690VAC_ aMΦ14×51 | 0.5 | 0.75W | aM | 0.018 |
| | BMK14001 | KM14-K-1A/690VAC_ aMΦ14×51 | 1 | 0.18W | aM | 0.018 |
| | BMK14002 | KM14-K-2A/690VAC_ aMΦ14×51 | 2 | 0.25W | aM | 0.018 |
| | BMK14004 | KM14-K-4A/690VAC_ aMΦ14×51 | 4 | 0.4W | aM | 0.018 |
| | BMK14006 | KM14-K-6A/690VAC_ aMΦ14×51 | 6 | 0.55W | aM | 0.018 |
| | BMK14008 | KM14-K-8A/690VAC_ aMΦ14×51 | 8 | 0.65W | aM | 0.018 |
| | BMK14010 | KM14-K-10A/690VAC_ aMΦ14×51 | 10 | 0.75W | aM | 0.018 |
| | BMK14012 | KM14-K-12A/690VAC_ aMΦ14×51 | 12 | 0.85W | aM | 0.018 |
| | BMK14016 | KM14-K-16A/690VAC_ aMΦ14×51 | 16 | 1.2W | aM | 0.018 |
| | BMK14020 | KM14-K-20A/690VAC_ aMΦ14×51 | 20 | 1.5W | aM | 0.018 |
| | BMK14025 | KM14-K-25A/690VAC_ aMΦ14×51 | 25 | 1.8W | aM | 0.018 |
| | BMK14032 | KM14-K-32A/500VAC_ aMΦ14×51 | 32 | 2.1W | aM | 0.018 |
| | BMK14040 | KM14-K-40A/500VAC_ aMΦ14×51 | 40 | 2.6W | aM | 0.018 |
| | BMK14045 | KM14-K-45A/500VAC_ aMΦ14×51 | 45 | 2.8W | aM | 0.018 |
| BMK14050 | KM14-K-50A/400VAC_ aMΦ14×51 | 50 | 2.9W | aM | 0.018 | |

| Size 瓷管代号 | Catalog Numbers订货号 | Designation Type 型号规格 | Electrical Characteristics 电气特性 | | | |
|-----------------------------------|------------------------------|-----------------------------|---------------------------------|------------------------|-------------|------------------|
| | | Kaiert Number 订货号 | Rating Ampere 电流(A) | Watts Loss In 功耗(W) | Class 类别 | Weight (Kg)重量 |
| Φ22×58 With striker 有指示器 | BMK22001 | KM22-K-1A/690VAC_ aMΦ22×58 | 1 | 0.2W | aM | 0.057 |
| | BMK22002 | KM22-K-2A/690VAC_ aMΦ22×58 | 2 | 0.3W | aM | 0.057 |
| | BMK22004 | KM22-K-4A/690VAC_ aMΦ22×58 | 4 | 0.5W | aM | 0.057 |
| | BMK22006 | KM22-K-6A/690VAC_ aMΦ22×58 | 6 | 0.65W | aM | 0.057 |
| | BMK22008 | KM22-K-8A/690VAC_ aMΦ22×58 | 8 | 0.75W | aM | 0.057 |
| | BMK22010 | KM22-K-10A/690VAC_ aMΦ22×58 | 10 | 0.85W | aM | 0.057 |
| | BMK22012 | KM22-K-12A/690VAC_ aMΦ22×58 | 12 | 1.0W | aM | 0.057 |
| | BMK22016 | KM22-K-16A/690VAC_ aMΦ22×58 | 16 | 1.4W | aM | 0.057 |
| | BMK22020 | KM22-K-20A/690VAC_ aMΦ22×58 | 20 | 1.7W | aM | 0.057 |
| | BMK22025 | KM22-K-25A/690VAC_ aMΦ22×58 | 25 | 2.0W | aM | 0.057 |
| | BMK22032 | KM22-K-32A/690VAC_ aMΦ22×58 | 32 | 2.6W | aM | 0.057 |
| | BMK22040 | KM22-K-40A/690VAC_ aMΦ22×58 | 40 | 3.2W | aM | 0.057 |
| | BMK22050 | KM22-K-50A/690VAC_ aMΦ22×58 | 50 | 3.9W | aM | 0.057 |
| | BMK22063 | KM22-K-63A/690VAC_ aMΦ22×58 | 63 | 4.6W | aM | 0.057 |
| | BMK22080 | KM22-K-80A/690VAC_ aMΦ22×58 | 80 | 5.6W | aM | 0.057 |
| BMK22100 | KM22-K-100A/500VAC_ aMΦ22×58 | 100 | 6.5W | aM | 0.057 | |
| BMK22125 | KM22-K-125A/400VAC_ aMΦ22×58 | 125 | 9.5W | aM | 0.057 | |

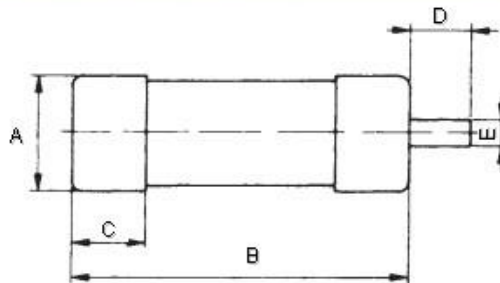
Main Characteristics 技术参数 电压等级:400V~500V~690VAC 电流范围:from 1A to 125A

Dimensions(mm)安装尺寸示意图: Without striker 无指示器:

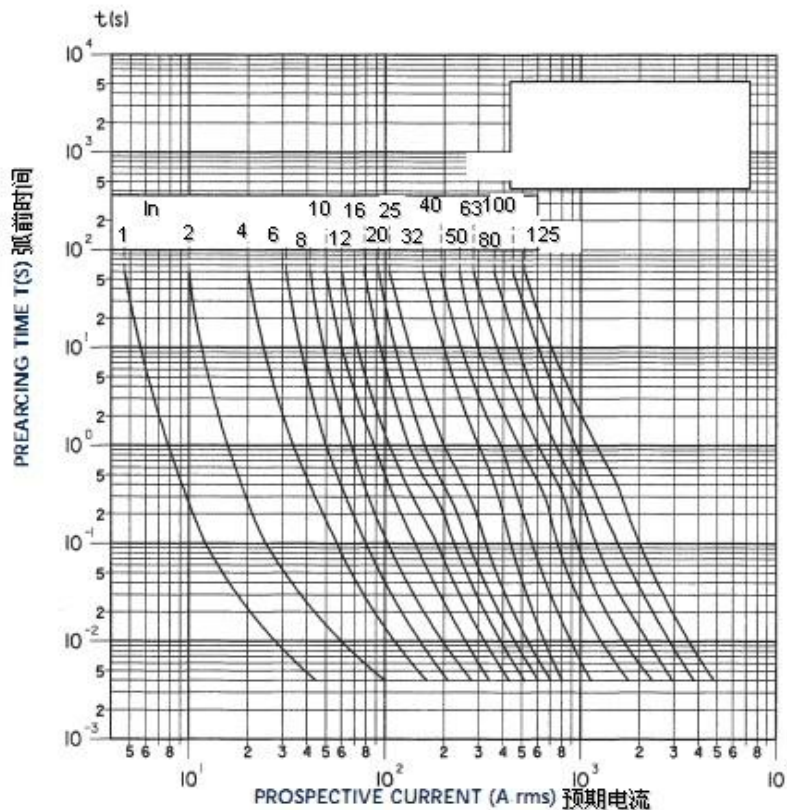


Dimensions(mm)安装尺寸示意图: With striker 有指示器

| Fuse Size | A | B | C | D | E |
|-----------|------|----|------|-----|-----|
| 14 x 51 | 14.3 | 51 | 13.8 | 7.5 | 3.8 |
| 22 x 58 | 22.2 | 58 | 16.2 | 7.5 | 3.8 |



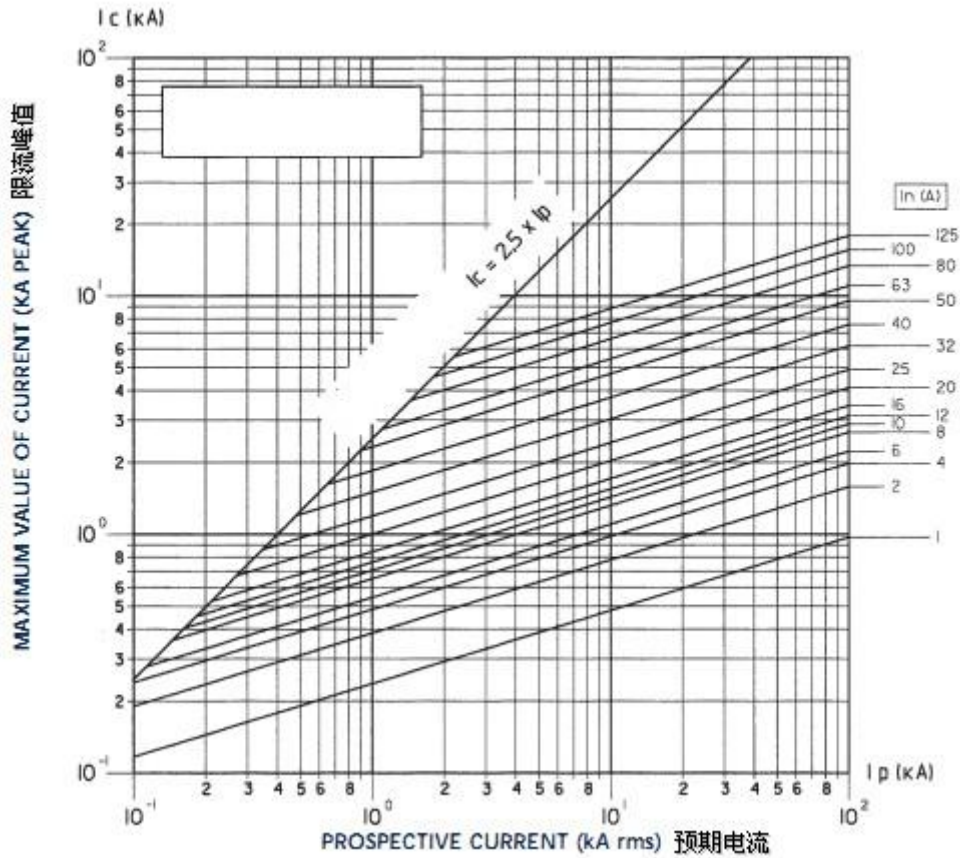
Time-Current Characteristics:时间-电流特性曲线 aM 8x32, 10x38, 14x51, 22x58 400V to 690V with/without Striker:



Main Characteristics 技术参数 电压等级:400V~500V~690VAC 电流范围:from 1A to 125A

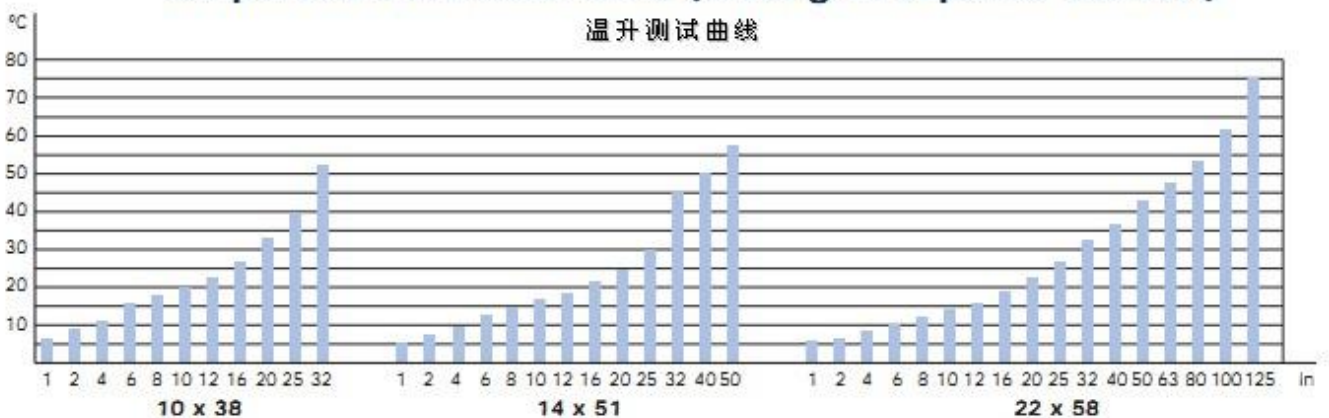
Breaking Capacity 分断能力: 80KA-690VAC、120KA-500VAC 、120KA-400VAC

Cut-Off Characteristics: 限流特性曲线: aM 8x32, 10x38, 14x51, 22x58 400V to 690V with/without Striker:



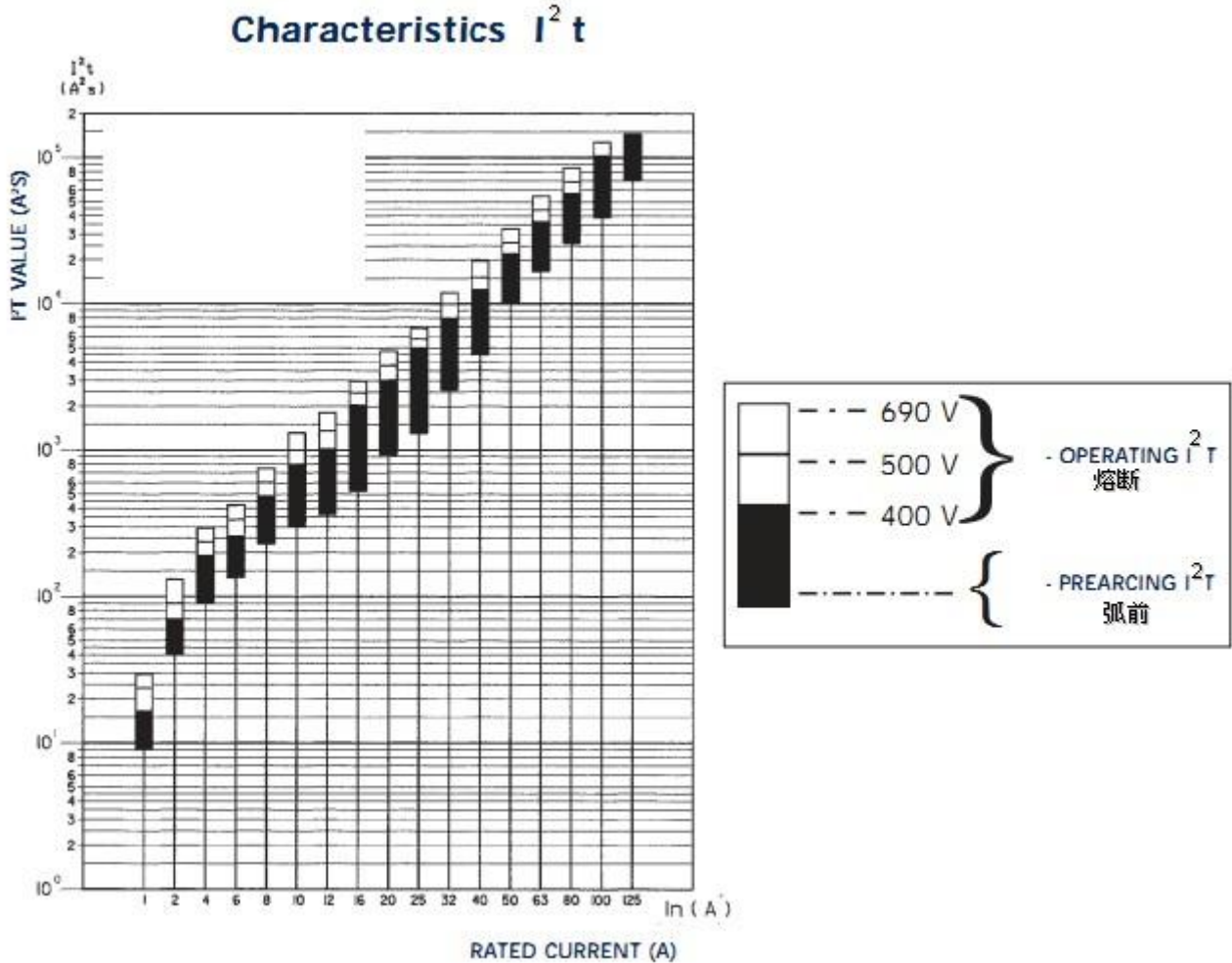
Temperature increase table (testing in superior contact)

温升测试曲线



Main Characteristics 技术参数 电压等级:400V~500V~690VAC 电流范围:from 1A to 125A

Breaking Capacity 分断能力: 80KA-690VAC、120KA-500VAC 、120KA-400VAC



able of maximum length of network in function of I_n and conductor section. 额定电流和导线面积和长度的选择:

aM Class Fuses

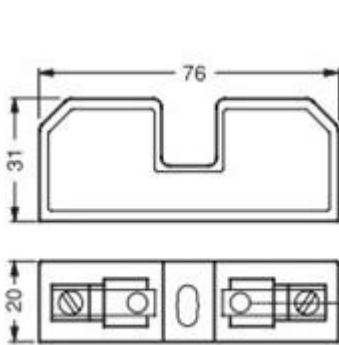
| Copper conductor section (mm ²) | Rated Current (I_n) OF aM Fuses (I_n A) | | | | | | | | | |
|---|--|-------|-------|-------|---------|-------|---------|-------|-------|-------|
| | 16 | 20 | 25 | 32 | 40 | 50 | 63 | 80 | 100 | 125 |
| 1,5 | 55/64 | 37/45 | 25/30 | 15/20 | | | | | | |
| 2,5 | 116 | 84/94 | 58/68 | 40/49 | 26/32 | 17/20 | | | | |
| 4 | 181 | 147 | 118 | 84/95 | 58/68 | 42/48 | 28/33 | 18/23 | | |
| 6 | 273 | 223 | 178 | 139 | 105/117 | 79/89 | 55/64 | 37/42 | 26/31 | 14/20 |
| 10 | | | | 227 | 181 | 147 | 113/125 | 80/94 | 57/69 | 40/47 |
| 16 | | | | | | 236 | 189 | 151 | 120 | 83/97 |
| 25 | | | | | | | | 231 | 185 | 147 |
| 35 | | | | | | | | | 262 | 210 |

Main Characteristics 技术参数电压等级:400V~500V~690V~1000V AC电流范围: from 1A to 32A

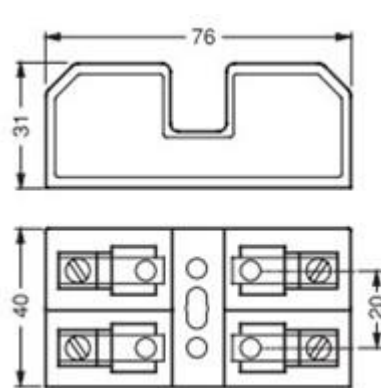
1、 Can be used as fuse switch disconnectors1 敞开式熔断器底座

| Size尺寸 mm×mm | U_e (V) AC/VDC 电压 | Kaiert Number订货号 | Weight (Kg)重量 |
|-----------------|------------------------|---------------------|------------------|
| Φ10X38 | 400V~1000V | KCB10-32A/1P | 0.06 |
| Φ10X38 | 400V~1000V | KCB10-32A/2P | 0.12 |
| Φ10X38 | 400V~1000V | KCB10-32A/2P | 0.18 |

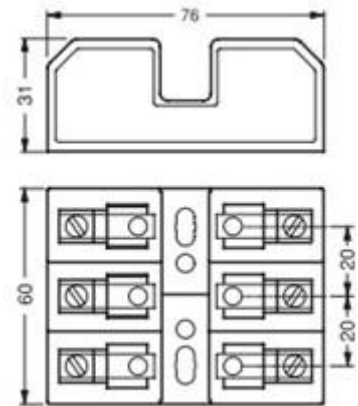
Dimensional drawings安装示意图:



KCB10-32A/1P



KCB10-32A/2P



KCB10-32A/3P

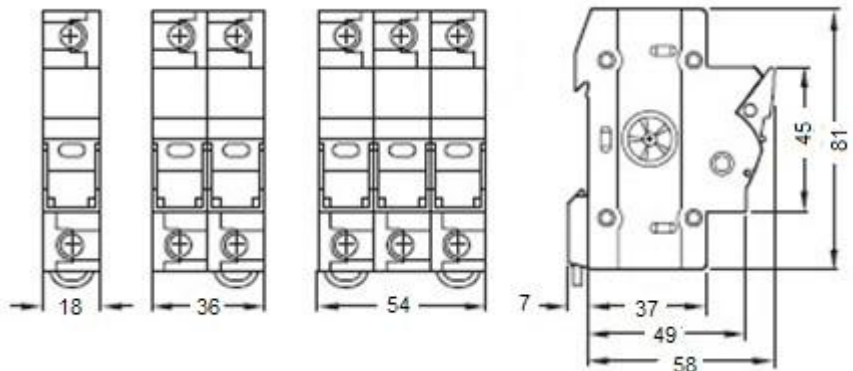
2、 Can be used as fuse switch disconnectors2 封闭式熔断器底座

| Size尺寸 mm×mm | U_e (V) AC/VDC 电压 | Kaiert Number订货号 | Weight (Kg)重量 |
|-----------------|------------------------|---------------------|------------------|
| Φ10X38 | 400V~1000V | KCH10-32A/1P | 0.07 |
| Φ10X38 | 400V~1000V | KCH10-32A/1P | 0.14 |
| Φ10X38 | 400V~1000V | KCH10-32A/1P | 0.21 |

Dimensional drawings安装示意图:



Cylindrical fuse holders
KCH10-32A

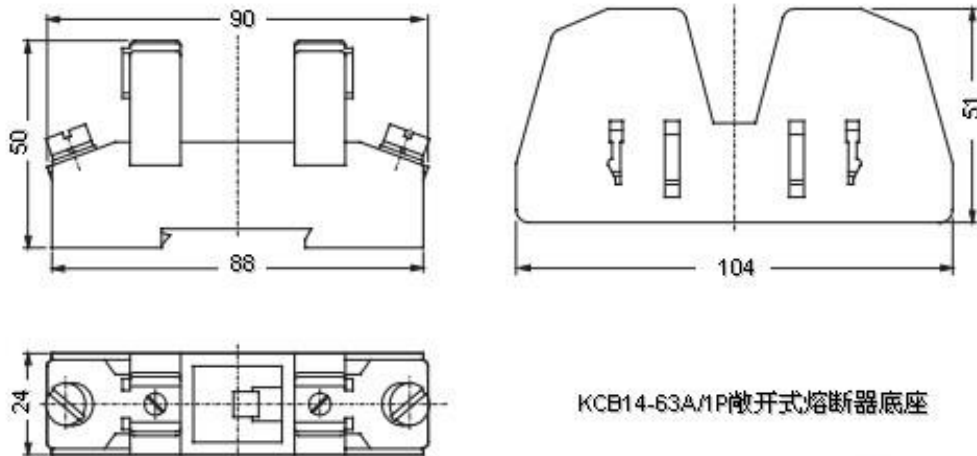


Main Characteristics 技术参数电压等级:400V~500V~690V~1000V AC电流范围: from 1A to 63A

1、 Can be used as fuse switch disconnectors1 敞开式熔断器底座

| Size尺寸 mm×mm | U_e (V) AC/VDC 电压 | Kaiert Number订货号 | Weight (Kg)重量 |
|-----------------|------------------------|---------------------|------------------|
| Φ14X51 | 440V~1000V | KCB14-63A/1P | 0.12 |

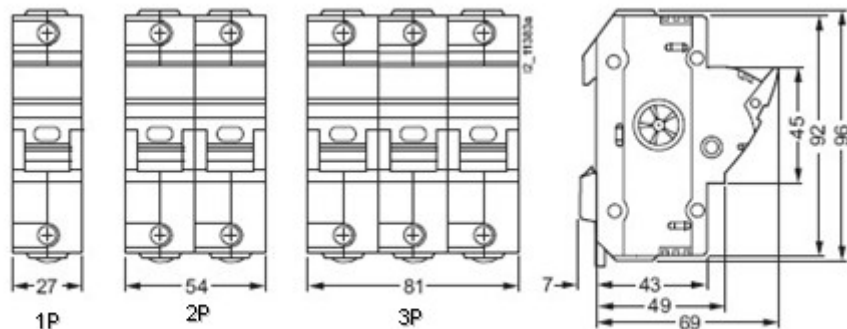
Dimensional drawings 安装示意图:



2、 Can be used as fuse switch disconnectors2 封闭式熔断器底座

| Size尺寸 mm×mm | U_e (V) AC/VDC 电压 | Kaiert Number订货号 | Weight (Kg)重量 |
|-----------------|------------------------|---------------------|------------------|
| Φ14*51 | 440V~1000V | KCH14-63A/1P | 0.125 |
| Φ14*51 | 440V~1000V | KCH14-63A/2P | 0.25 |
| Φ14*51 | 440V~1000V | KCH14-63A/3P | 0.375 |

Dimensional drawings 安装示意图:



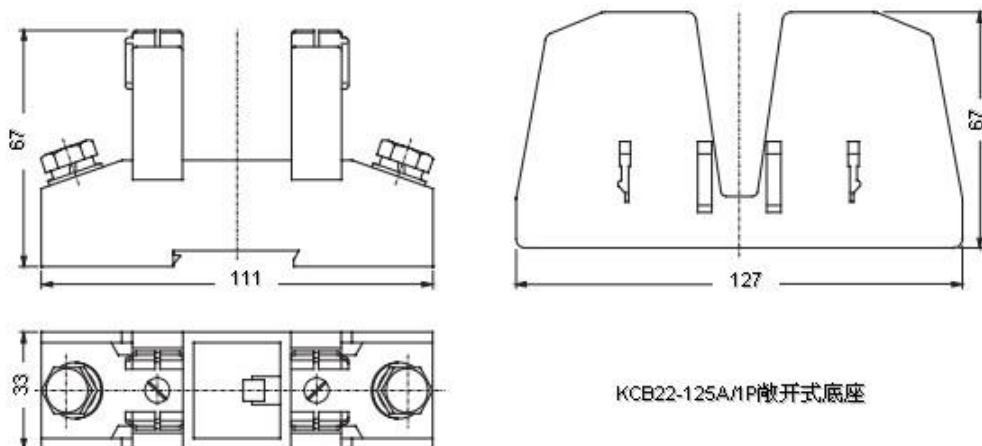
Cylindrical fuse holders 圆柱型底座 KCH14-63A

Main Characteristics 技术参数电压等级:400V~500V~690V~1000V AC电流范围: from 1A to 63A

1、Can be used as fuse switch disconnectors1 敞开式熔断器底座

| Size尺寸 mm×mm | U_e (V) AC/VDC 电压 | Kaiert Number订货号 | Weight (Kg)重量 |
|-----------------|------------------------|---------------------|------------------|
| Φ22X58 | 440V~1000V | KCB22-125A/1P | 0.25 |

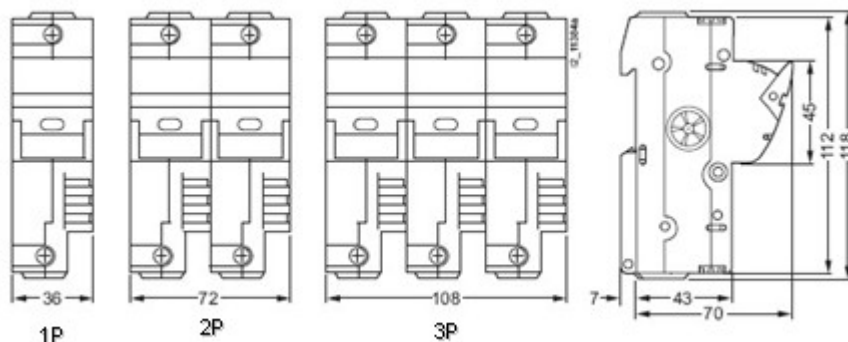
Dimensional drawings 安装示意图:



2、Can be used as fuse switch disconnectors2 封闭式熔断器底座

| Size尺寸 mm×mm | U_e (V) AC/VDC 电压 | Kaiert Number订货号 | Weight (Kg)重量 |
|-----------------|------------------------|---------------------|------------------|
| Φ22*58 | 440V~1000V | KCH22-125A/1P | 0.338 |
| Φ22*58 | 440V~1000V | KCH22-125A/2P | 0.70 |
| Φ22*58 | 440V~1000V | KCH22-125A/3P | 1.05 |

Dimensional drawings 安装示意图:



Cylindrical fuse holders 圆柱型底座 KCH22-125A